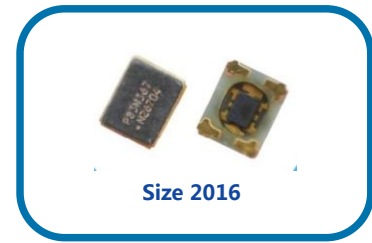


Feature

- Typical 2.0 x 1.6 x 0.8 mm ceramic SMD package.
- For automatic assembly.
- Compactness and lightweight.
- VCTCXO available.
- Miniature size and low profile.



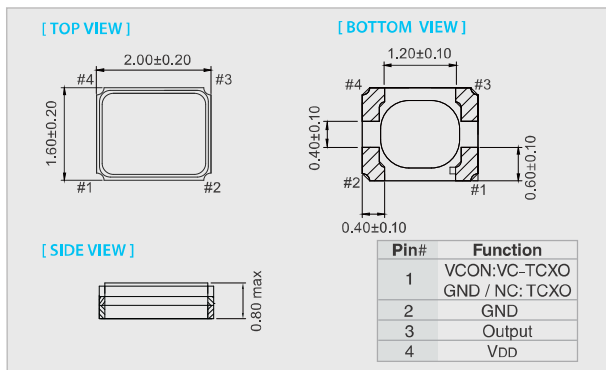
Specifications

RoHS Compliant REACH Compliant

Parameter	3.3 / 3.0 / 2.8 V		2.5 V		1.8 V		Unit
	Min.	Max.	Min.	Max.	Min.	Max.	
Supply Voltage Variation (VDD)	2.66	3.465	2.375	2.625	1.71	1.89	V
Frequency Range	10	52	10	52	10	52	MHz
Frequency Tolerance*	-	±2.0	-	±2.0	-	±2.0	ppm
Frequency stability							
Vs Supply Voltage (±5%) change	-	±0.2	-	±0.2	-	±0.2	ppm
Vs Load (±10%) change	-	±0.2	-	±0.2	-	±0.2	
Vs Aging (@ 1st year)	-	±1.0	-	±1.0	-	±1.0	ppm
Supply Current 10 MHz ≤ Fo ≤ 26 MHz	-	1.5	-	1.5	-	1.5	mA
26 MHz < Fo ≤ 52 MHz	-	2.0	-	2.0	-	2.0	
Output Level (Clipped sine wave)	0.8	-	0.8	-	0.8	-	Vp-p
Load	10 KΩ // 10pF		10 KΩ // 10pF		10 KΩ // 10pF		
Control Voltage Range (VCTCXO)	0.5	2.5	0.4	2.4	0.3	1.5	V
Pulling Range (VCTCXO)	±5.0	-	±5.0	-	±5.0	-	ppm
Vc Input Impedance (VCTCXO)	500	-	500	-	500	-	kΩ
Phase Noise @ 19.2 MHz	-115		-115		-115		dBc/Hz
1 kHz	-135		-135		-135		
10 kHz	-148		-148		-148		
Start time	-	2	-	2	-	2	mSec
Storage Temp. Range	-55	125	-55	125	-55	125	°C

Standard frequencies are frequencies which the crystal has been designed and does not imply a stock position.
 * Frequency at 25°C, 1 hour after reflow.

Outline Drawing



Frequency Stability Vs. Temperature Range

Temp.(°C)	Ppm	±0.5	±1.0	±1.5	±2.0	±2.5
-20 ~ +70		☺	☺	☺	☺	☺
-30 ~ +85		☺	☺	☺	☺	☺
-40 ~ +85		☺	☺	☺	☺	☺

☺ Standard + Available(case by case) ☹ Not Available

Ordering Information

Part Number Guide

RFW	T1	E	C	D	D	S	A	N	F	Freq.
OSC	Package Size (mm)	Supply Voltage (V)	Pulling Range (ppm)	Frequency Stability (ppm)	Temp. Range (°C)	Output Logic & Symmetry	Oscillator Mode	Appearance	Lead Free	(Mhz)
	1:2.0*1.6	E:2.8-3.3 J:2.5 K:1.8	A:±5 B:±8 C:±10 T:TCXO	A:±0.5 B:±1.0 P:±1.5 C:±2.0 D:±2.5	I:-10~+60 C:-20~+70 L:-40~+85 D:-30~+85	S:Clipped sine wave 10kΩ/10pF	A:AT Fundamental Not selectable by customer	N:Normal	F:RoHS Compliant	XX.XXXXXX

Example RFWT1ECDDSANF -26.000000MHz
 TCXO,RoHS Compliant, 2.0*1.6mm;Voltage=3.3V;Freq. Stability:+/-2.5ppm;Operating Temp. Range:-30~85 °C;
 Clipped sine wave ;Freq.26.000000MHz.
 **Not all combinations of options are available.